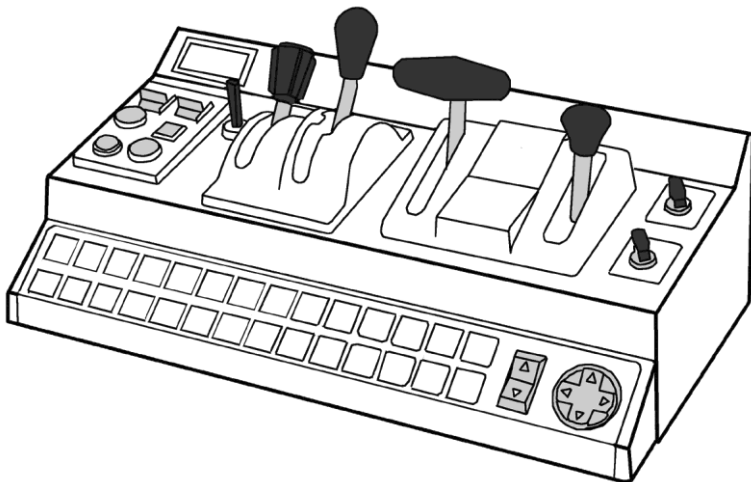


# **RailDriver**

A Division of P.I. Engineering



## **Desktop Train Cab Controller**

### ***Product Manual***

#### **RailDriver**

A Division of *P.I. Engineering*

101 Innovation Parkway

Williamston, Michigan 48895-1663

(517)655-5523

e-mail: [sales@raildriver.com](mailto:sales@raildriver.com)

[www.raildriver.com](http://www.raildriver.com)



***"The No Slogan Company"***

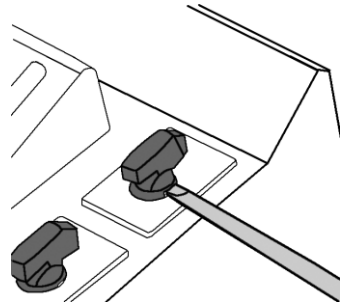
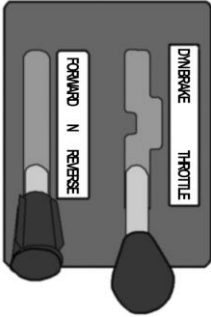
P.I. Part #0378, Oct. 2015

## **Box Contents**

As you unpack your RailDriver, please check the enclosed items against this packing list:

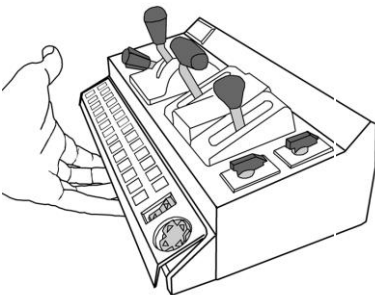
- ✓ RailDriver Control Unit
- ✓ RailDriver Power Supply (AC adapter)
- ✓ RailDriver Label Sheets & Game Button Identification Strips
- ✓ RailDriver Operating Manual

## **Installing Labels for the Controls and Function Keys**



Reverser, Throttle, and Brake decals are applied with the left end of the label at the top of the control lever.

To remove wiper and light switch caps for labeling, insert a thin bladed screwdriver into the slot on either side of the switch and carefully pry up until the switch cap pops off.



To apply legends for the function keys, pry up carefully, but with force, on the panel cover, place the legend strips above the keys. Insert the top of the panel cover first, and snap the bottom back into place.

Printable versions of these legend strips can also be found on our website.



1. Plug the RailDriver into the line out sound port on your computer.
2. Plug the speakers (which were in the sound port) into the RailDriver pass through sound port.
3. Connect the 12 VDC Power Supply.
4. Set the Amplitude control to mid level (adjust setting when RailDriver is running with your train simulation software).

**NOTE:** The RailDriver Desktop contains a speaker which has been magnetically shielded to prevent color distortion on video displays. Exposing magnetic media (floppy disk, memory stick, or digital tape) to magnetic materials may cause data loss.

## **Installing Your RailDriver Train Cab Controller**

The rapid evolution of train simulator software applications prohibits us from keeping the most current and relevant instructions in a paper manual or shipping software with the device. Please refer to our website [raildriver.com](http://raildriver.com) for the most current instructions and software.

## **How to Download RailDriver Software**

Your new RailDriver requires software to make the connection to your train simulation program. Go to **[raildriver.com/support](http://raildriver.com/support)** and select your program from the list. Follow the instructions on the page to download and install the RailDriver software.

## **Supported Simulation Programs**

- Train Simulator (current version) by Dovetail Games
- Trainz (up to Trainz 12) by N3V Games
- Run8\*
- Open Rails\*
- World of Subways 2 & 3\*
- TrainMaster 4.3

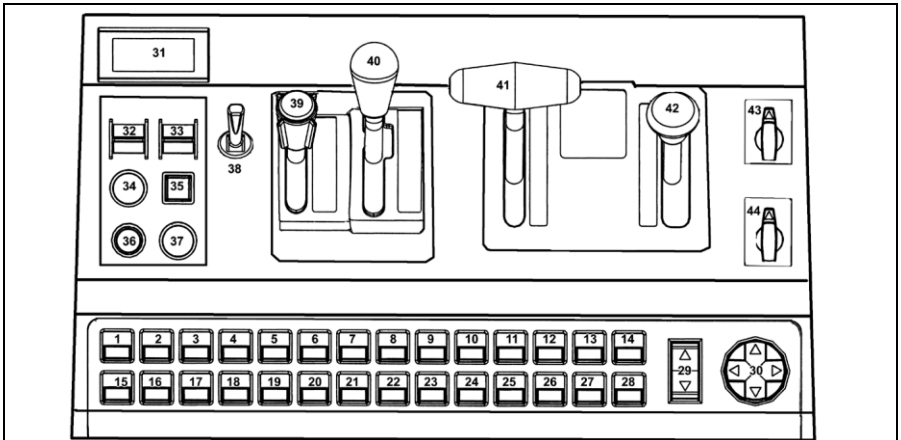
\*These programs have native RailDriver support and do not require our software.

All downloads are free. If you cannot download the software, for any reason, please contact us and we will provide the software by another means.

Technical support for the installation of RailDriver is available via email: [tech@raildriver.com](mailto:tech@raildriver.com) or phone: 1 (517) 655-5523 Ext. 19

## The Default Control Layout

While the RailDriver Desktop control levers and switches most closely resemble the Dash 9 layout, they may be configured to operate any type of engine in most train simulation programs. For details on selecting alternate control layouts or creating your own custom layout, please refer to the Help files in our software, or the Technical Support Page on our web site ([www.raildriver.com](http://www.raildriver.com)).



1. (1-28) Programmable game buttons
29. Zoom/Rocker button
30. Four way panning control
31. LED speedometer
32. Gear Shift
33. Emergency Brake
34. Alerter
35. Sander
36. Pantograph
37. Bell
38. Horn/whistle lever (operates forward or back)
39. Reverser (center detent, variable forward and reverse)
40. Combined throttle and dynamic brake (with "gate" center)
41. Automatic brake, (detent before e-brake)
42. Independent brake (w/right motion for bail-off)
43. Rotary wiper switch
44. Rotary headlight switch.

## How to Find Us

### **RailDriver**

#### **A Division of P.I. Engineering**

101 Innovation Parkway

Williamston, MI 48895 U.S.A.

**Telephone:** (517) 655-5523

**Fax:** (517) 655-4926

**Web:** [www.raildriver.com](http://www.raildriver.com)

**E-mail:** [sales@raildriver.com](mailto:sales@raildriver.com)

## **FCC Declaration of Conformity**

This device complies with Part 15 of the FCC rules.

Operation is subject to the following two conditions: (1)

This device may not cause harmful interference, and (2)

this device must accept any interference received, including interference that may cause undesired operation.



**This equipment has been tested and found to comply with the limits for a Class B digital device, pursuant to part 15 of the FCC rules. These limits are designed to provide reasonable protection against harmful interference when the equipment is operated in a residential installation. This equipment generates, uses, and can radiate radio frequency energy and if not installed and used in accordance with the instruction manual may cause harmful interference to radio communications. However, there is no guarantee that interference will not occur in a particular installation. If this equipment does cause harmful interference to radio or television reception, which can be determined by turning the equipment off and on, the user is encouraged to try to correct the interference by one or more of the following measures:**

- Reorient or relocate the receiving antenna.
- Increase the separation between the equipment and the receiver.
- Connect the equipment into an outlet on a circuit different from that to which the receiver is connected.
- Consult the dealer or an experienced radio TV technician for help.

**Any changes or modifications not expressly approved by the manufacturer could void the user's authority to operate the equipment.**

## LIMITED WARRANTY

For all RailDriver products purchased and installed in the United States and Canada, P.I. Engineering warrants that the RailDriver product will be free from defects in materials and workmanship under normal use and service, and will meet the specifications presented by P.I. Engineering at the time of original purchase, for one year as evidenced by a copy of the purchase receipt. Under this warranty, P.I. Engineering will, at its sole option, repair or replace any RailDriver product which is defective, provided that you are responsible for (i) the cost of transportation of the product to P.I. Engineering or its designated service facility, and (ii) any loss or damage to the product resulting from such transportation.

Upon discovery of a defect in the product within the Warranty Period, you should notify P.I. Engineering Technical Support via telephone to obtain an RMA (return authorization number) and instructions for shipping the product to a service location designated by P.I. Engineering. You should send the product, shipping charges prepaid, to the designated location, accompanied by the return authorization number, your name, address, and telephone number, proof of purchase, and a description of the defect. P.I. Engineering will pay for return of product(s) to the customer. P.I. Engineering shall have no responsibility to repair or replace the RailDriver product if the failure has resulted from accident, abuse, mutilation, misuse, or repair/modification performed by any entity other than P.I. Engineering.

THIS WARRANTY IS EXCLUSIVE OF ALL OTHER WARRANTIES, WHETHER EXPRESSED, IMPLIED, OR STATUTORY. P.I. ENGINEERING DOES NOT WARRANT THIS **RAILDRIVER** PRODUCT FOR FITNESS FOR A PARTICULAR PURPOSE OR MERCHANTABILITY. P.I. ENGINEERING AND ITS EMPLOYEES SHALL NOT BE HELD LIABLE FOR ANY CONSEQUENTIAL, INDIRECT, OR INCIDENTAL DAMAGES, EVEN IF ADVISED OF THEIR POSSIBILITY, ARISING OUT OF THE USE OR INABILITY TO USE THIS PRODUCT. SOME STATES DO NOT ALLOW FOR THE EXCLUSION OR LIMITATION OF CERTAIN LIABILITIES, SO THE ABOVE LIMITATIONS MAY NOT APPLY TO YOU. THIS WARRANTY GIVES YOU SPECIFIC LEGAL RIGHTS, AND YOU MAY ALSO HAVE OTHER LEGAL RIGHTS WHICH VARY FROM STATE TO STATE.

In the event that the above limitations are held unenforceable, P.I. Engineering's liability for any damages to you or to any party shall not exceed the purchase price you paid, regardless of the form of any claim.

This limited warranty is valid for and only applies to products purchased and used inside the United States (and its territories) and Canada. This limited warranty is governed by the laws of the United States of America and the State of Michigan.

RailDriver Electronic Design: P.I. Engineering, Inc., Williamston, Michigan

Patent Pending

© 2000 - 2015 P.I. Engineering, Inc. All rights reserved.

*RailDriver*, *Y-mouse*, *Y-key key*, *X-keys*, and the "P.I. Eclipse" are trademarks of P.I. Engineering, Inc. All other trademarks are property of their respective owners.

## **Other Products from P.I. Engineering**

Visit our web site ([www.xkeys.com](http://www.xkeys.com)) for detailed descriptions.

### ***X-keys*<sup>®</sup> User-programmable keyboards and controls**

XK-24 USB keypad	XK-80 USB keyboard	XK-60 Keyboard	XK-16 Stick
XK-12+Joystick	XK-12 Jog & Shuttle	XK-3 Foot Pedal	USB Encoder Board

### ***Y-mouse*<sup>®</sup> Splitters & Adapters**

Y-mouse Dual Mouse Adapter	Y-key key Dual Keyboard Adapter	Y-mouse Keyboard & Mouse Adapter for USB
-------------------------------	---------------------------------------	--

### ***RailDriver*<sup>®</sup> Products**

Steam	Decorative	1922	1922	1921
Firing	Hitch	Locomotive	Car Builders	Maintenance of
Manual	Coupler	Cyclopedia	Cyclopedia	Way Cyclopedia

**[www.raildriver.com](http://www.raildriver.com)**